

**PLEASE CHECK WWW.MOLEX.COM FOR LATEST PART INFORMATION**

**Part Number:** [0354089202](#)  
**Status:** **Active**  
**Description:** 2.28mm (.090") Tab Terminal, 0.30mm (.012") Thickness, 2.0 AVSS, 0.25mm (.010") Thickness, Pre-Tin Plated

**Documents:**

[Drawing \(PDF\)](#) [RoHS Certificate of Compliance \(PDF\)](#)  
[Product Specification PS-35519-001 \(PDF\)](#)

**General**

Product Family	Crimp Terminals
Series	<a href="#">35408</a>
Crimp Quality Equipment	Yes
Product Name	N/A

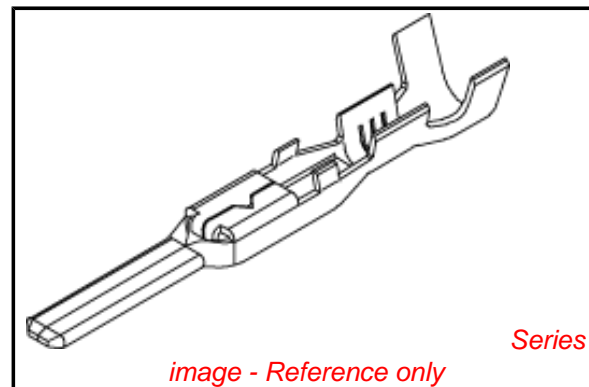
**Physical**

Gender	Male
Material - Metal	Brass
Material - Plating Mating	Tin
Packaging Type	Reel
Termination Interface: Style	Crimp or Compression
Wire Insulation Diameter	1.90mm (.075") max.
Wire Size AWG	14
Wire Size mm <sup>2</sup>	N/A

**Material Info**

**Reference - Drawing Numbers**

Product Specification	PS-35519-001
Sales Drawing	SD-35408-9102.9202



**EU RoHS**

**ELV and RoHS  
Compliant**  
**REACH SVHC  
Contains SVHC: No**  
**Halogen-Free  
Status**

**China RoHS**



**Need more information on product  
environmental compliance?**

Email [productcompliance@molex.com](mailto:productcompliance@molex.com)  
 For a multiple part number RoHS Certificate of Compliance, [click here](#)

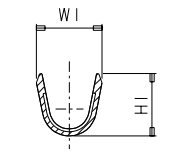
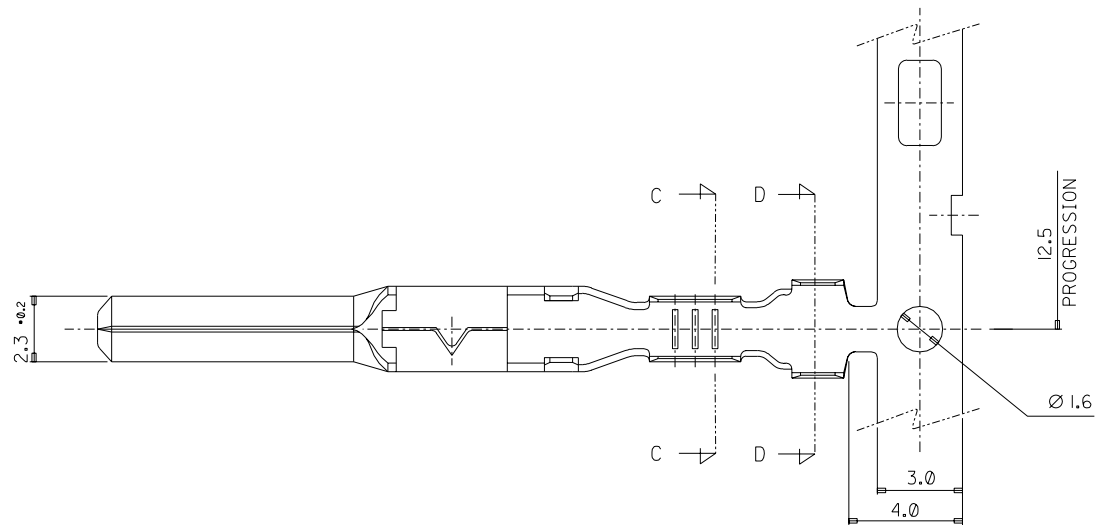
Please visit the [Contact Us](#) section for any non-product compliance questions.

**Search Parts in this Series**

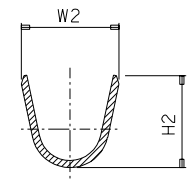
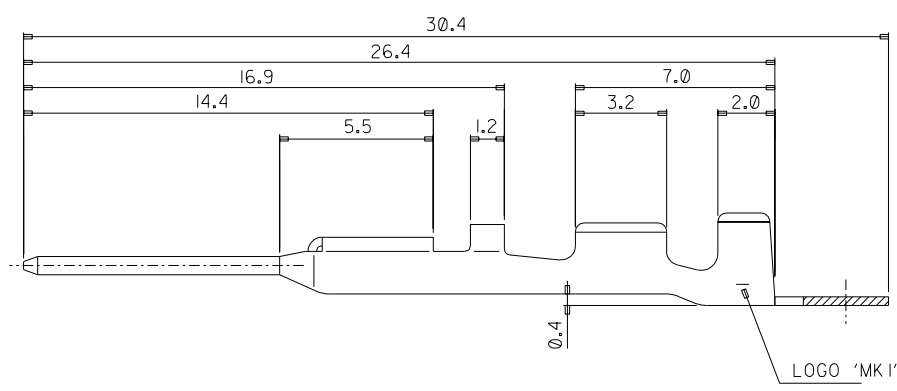
[35408Series](#)

**Mates With**

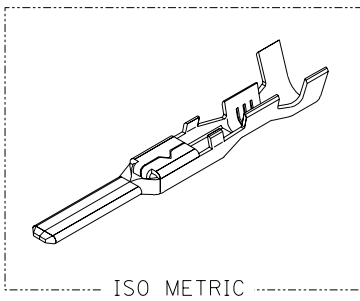
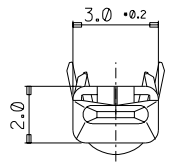
[35407](#)



SECTION: C-C



SECTION: D-D



NOTE

1. MATERIAL: BRASS ,  $\pm 0.3$
2. FINISH: PRE-TIN PLATE
3. RECOMMENDED LENGTH OF WIRE STRIP: 5.0-5.6

NO.	ENG-NO.	TYPE	PART NAME	CABLE SIZE (mm <sup>2</sup> )	DEMENSION			
					W1	H1	W2	H2
1	35408-9102	(S)	.090 MALE TER'L	AVSS(AVS), $0.3 \pm 0.5$	2.5	2.5	3.4	3.3
2	35408-9202	(L)	.090 MALE TER'L	AVSS(AVS), 2.0	3.6	3.6	4.2	4.1
3	35408-9502	(M)	.090 MALE TER'L	AVSS(AVS), $0.85 \pm 1.25$	2.8	3.0	4.2	4.1

		MATERIAL		SEE NOTE		MOLEX MOLEX-KOREA CO.,LTD.	
		GENERAL TOLERANCE		DIMENSION : $\pm 0.3$		DRAWN BY B.C.YOON	
		ANGLE :				CHK'D BY	
C	ADDED BARREL	KOR2000-0018	00/3/11	DIMENSION CLASSIFICATION		APP'D BY	
B	CHANGED FORM	KOR1998-0046	08/3/24	▽ : CRITICAL ▼ : MAJOR		SCALE 8:1	
A	NEW RELEASE	KOR10072	07/6/30	ASS'Y PART		TITLE : .090 MALE TERMINAL	
LTR	REVISION RECORD	ECN	DATE	DESCRIPTION ENG. NO.		SHEET 1/1	
REVISE ONLY ON CAD SYSTEM						ENG. NO. SD 35408-9102/9202	
						REV C	